

Test Report

for 0.6~6.0GHz Broadband Horn Antenna



Model: HXATBDH660

Chengdu HAIXIN MICROWAVE Technology Co., Ltd

Add: Chengdu 610091, China

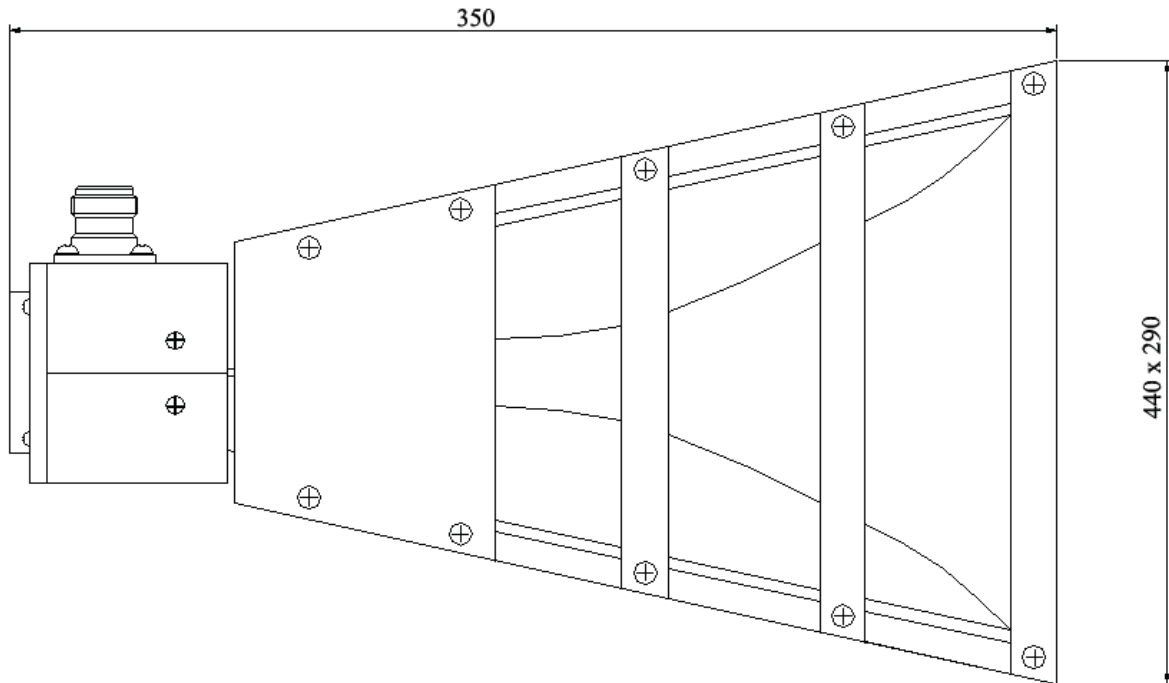
Tel: +86-28-87089208

Website: www.hxmicrowave.com

Fax: +86-28-87089208

Email: sale@hxmicrowave.com

Outline Drawing (Size: mm)



Technical Specification

Frequency Rang	VSWR	Gain	Connector	Size
0.6~6.0GHz	2:1	8dBi	N-Female	440mm×350mm×290mm

Test Instruments

Agilent 83630B
 HP8563E
 HP8720D

Test Results

一. Gain



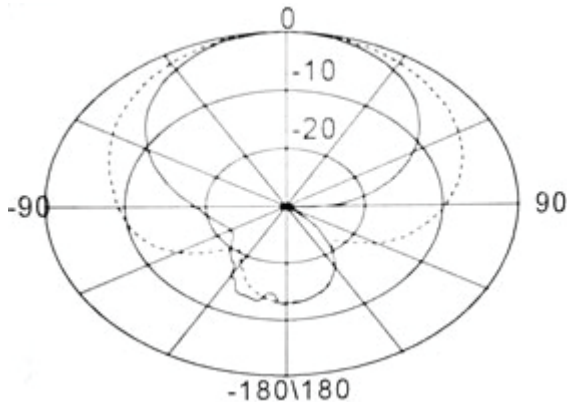
Frequency (GHz)	0.6	2.0	3.5	4.5	6.0
Gain (dBi)	8	11	11.5	12	13

二. Pattern

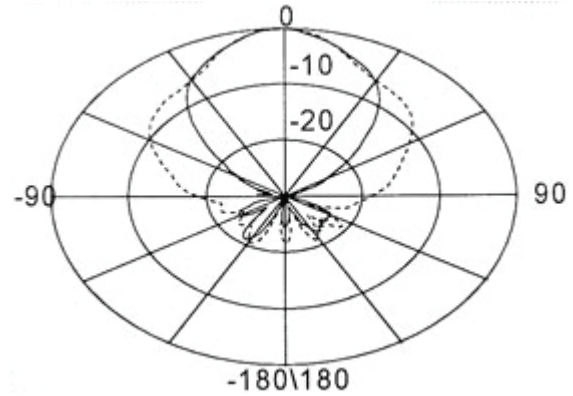
E Plane-----

H Plane-----

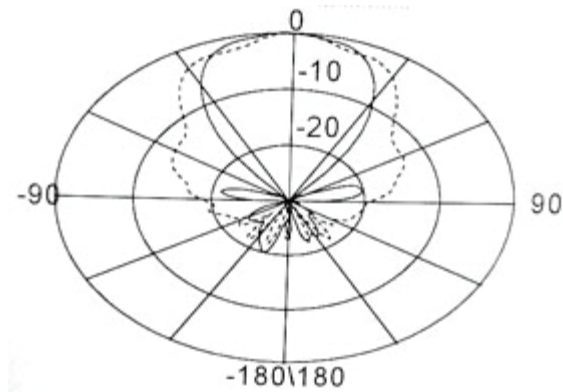
600MHz(90° / 62°)



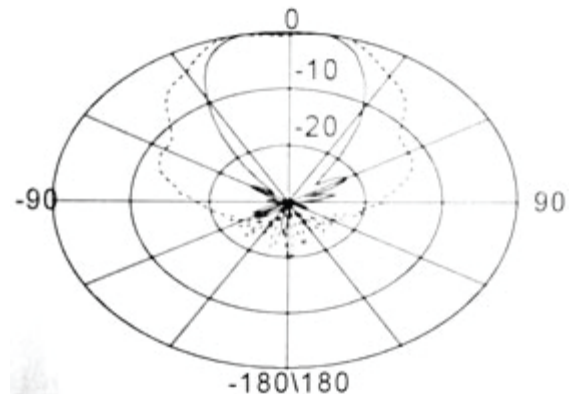
2000MHz(34° / 35°)



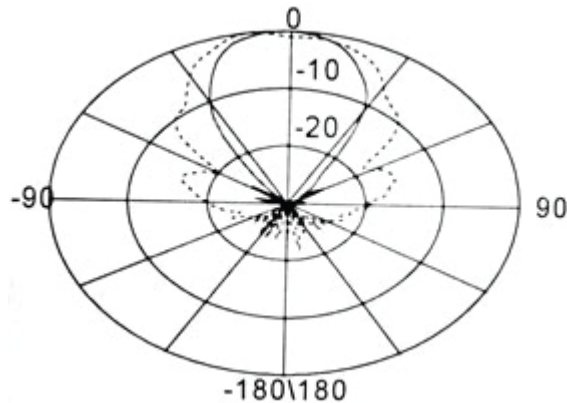
3000MHz(56° / 45°)



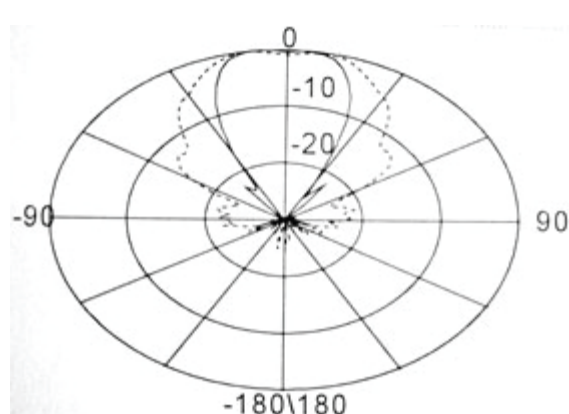
4000MHz(53° / 41°)



5000MHz(48° / 35°)



6000MHz(48° / 35°)



Chengdu HAXIN MICROWAVE Technology Co., Ltd

Add: Chengdu 610091, China

Tel: +86-28-87089208

Website: www.hxmwave.com

Fax: +86-28-87089208

Email: sale@hxmwave.com